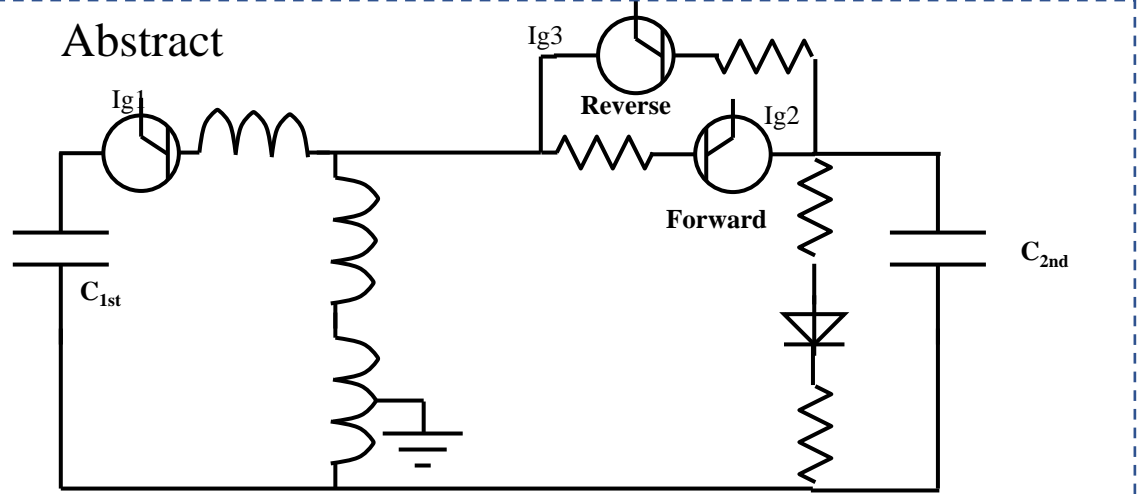


Abstract



OH coil+ PF4 & power supply

Blocking coil
0.275 mH

OH+PF4
49.8 mΩ

W=40mm, t=5mm, L~10.5m

